



OFFICE OF THE REGISTRAR

MAHAPURUSHA SRIMANTA SANKARADEVA VISWAVIDYALAYA

[Established under the Assam Act No. XIX of 2013]

HALADHAR BHUYAN PATH, KALONGPAR, NAGAON, PIN-782001 : ASSAM : INDIA

e-mail: mssvnagaon@gmail.com, registrarmssv@gmail.com

website : www.mssv.co.in Phone No. : 9531089105, 03672-231146

Ref. No.: MSSV/R/59/2015/6323

Date: 14.06.2017

NOTICE INVITING QUOTATION

Sealed quotations are invited from the reputed firms/ parties for construction of aluminium partition walls with required nos. of doors, windows, and ventilations in the newly constructed buildings at the Guwahati Campus of the Mahapurusha Srimanta Sankaradeva Viswavidyalaya at Sankari Sanskriti Kendra, Rupnagar, Guwahati. The description of work and specifications of the partition walls along with layout/measurements of the Halls/Rooms of the buildings are given in the Annexure – I and Annexure – II. The terms and conditions of the work are given in Annexure – III.

The **sealed quotations** must reach the office of the undersigned **on or before 21st June, 2017**. The quotation should accompany with an **Indian Postal Order (IPO) for Rs. 100.00 (Rupees one hundred only) payable to the Mahapurusha Srimanta Sankaradeva Viswavidyalaya, Nagaon.**

The undersigned reserves the right to accept or reject any quotation without notice.

Sd-

(Dr. R.C. Borah)

Registrar

MSSV, Nagaon

Date: 14.06.2017

Memo No: MSSV/R/59/2015/ 6324-26

Copy to:

1. The Hon'ble Vice-Chancellor, MSSV, Nagaon for kind information.
2. Dr. Santanu Kalita, Asstt. Professor & Head (i/c), Deptt. of Computer Application, MSSV, Nagaon with a request to upload the notification in the University website www.mssv.co.in.
3. The Accounts Officer, MSSV, Nagaon for information and necessary action.
4. Notice Board.
5. Office file.

(Dr. R.C. Borah)

Registrar,

MSSV, Nagaon

ANNEXURE – I

Description of Work/ Material

1. Providing fitting and fixing Aluminium framed partition wall partly glass and partly pre-laminated board with anodized Aluminium Frame made of 63mm X 38mm X 2mm section of approved brand.
 - (a) 5mm thick clear glass and 12mm thick pre-laminated board.
2. Providing fitting & fixing Aluminium Hinged Door/Sliding door with 85mm X 45mm X 2mm. Section door vertical, 5mm clear glass and 12mm pre-laminated board.
3. Extra material for providing fitting & fixing sliding window at top part of partition wall.
4. Providing fitting & fixing Aluminium extruded grill F & H section as and where necessary.
5. Extra FROSTED glass in lieu of clear glass.
6. Extra for door closer.

ANNEXURE – II

Layout Drawing:

As given in the attached papers.

ANNEXURE – III

Terms and conditions:

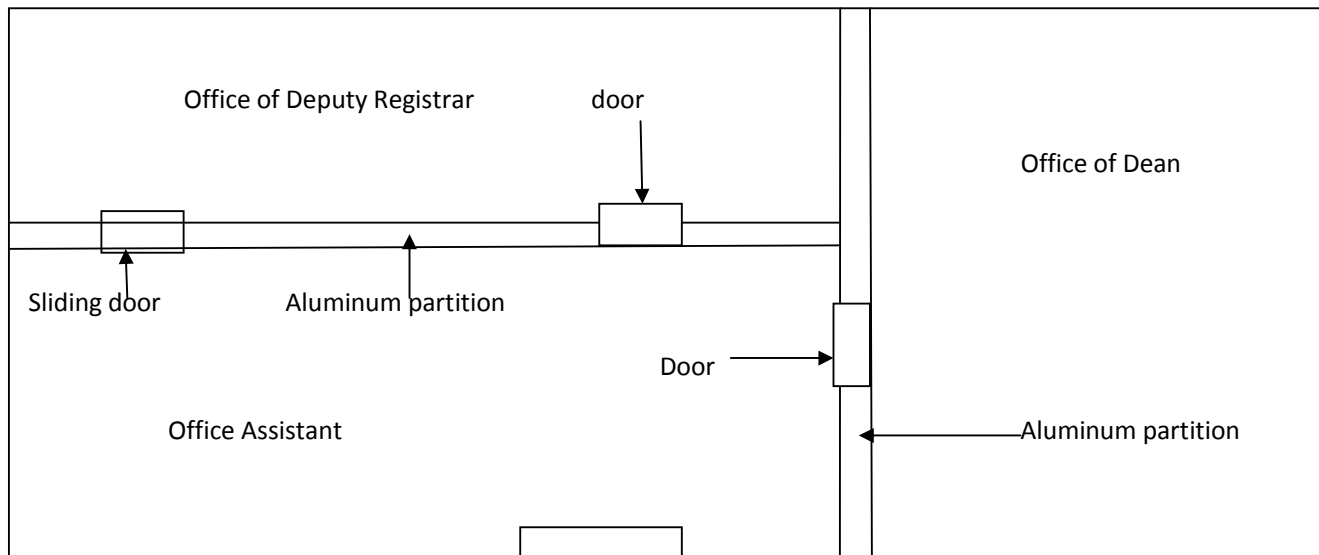
1. The work has to be accomplished as per the layout diagram given in Annexure – II.
2. The work has to be completed within one month from the date of issue of work order.
3. The electrical cost will be born by the University.
4. The work if allotted, has to be started within 4 (four) days from the receipt of the work order failing which the work order shall stand cancelled.
5. No damage to the existing building during the fitting & fixing of the materials be made, if any concrete work is required the party is to repair such damage.
6. Payments will be made within 15 (fifteen) days of completion of works on receipt of triplicate copies of bills in proper form including proof of Registration of firm, VAT clearance, PAN/TIN No., etc.

MSSV, Guwahati, Rupnagar Campus

Sankardeva Research Centre

Front Block (Ground Floor)

1. Office:

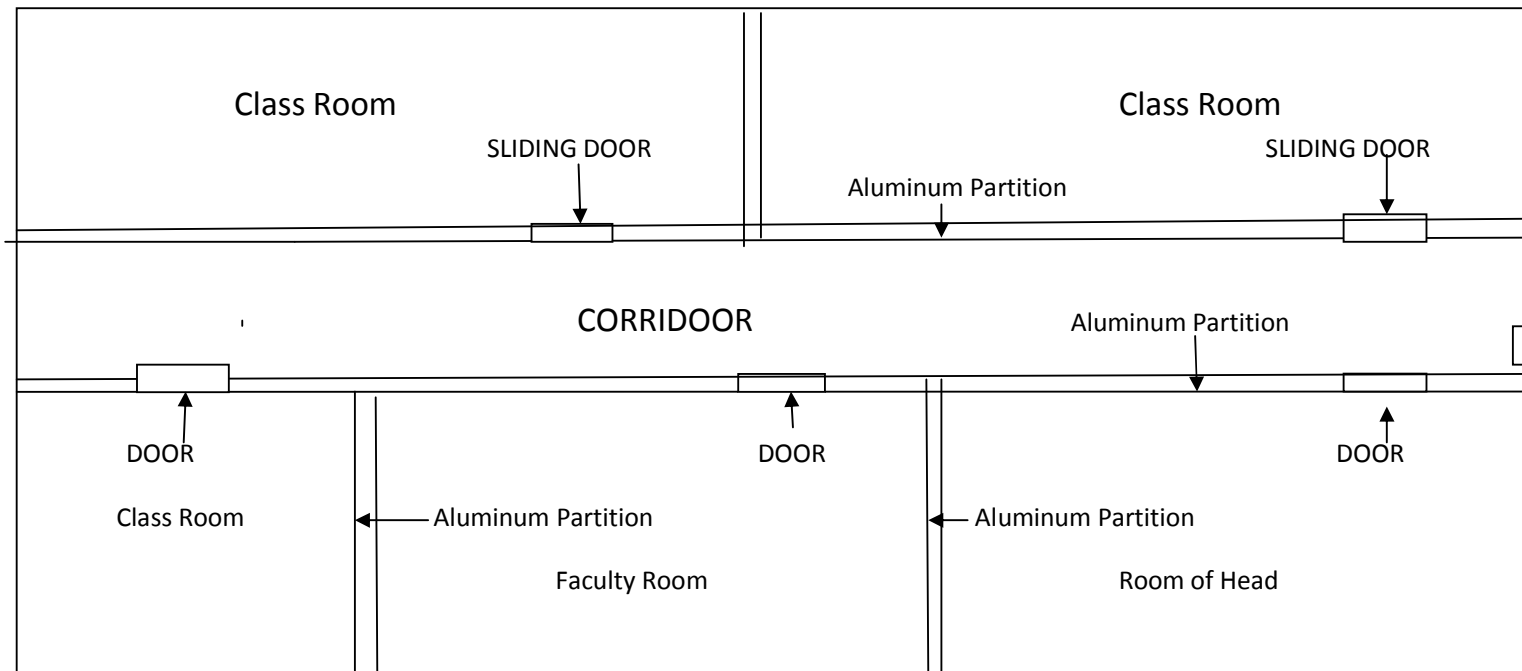


MSSV, Guwahati, Rupnagar Campus

Sankardeva Research Centre

Front Block

2. Departments:(Common to 1ST, 2ND AND 3RD Floor)

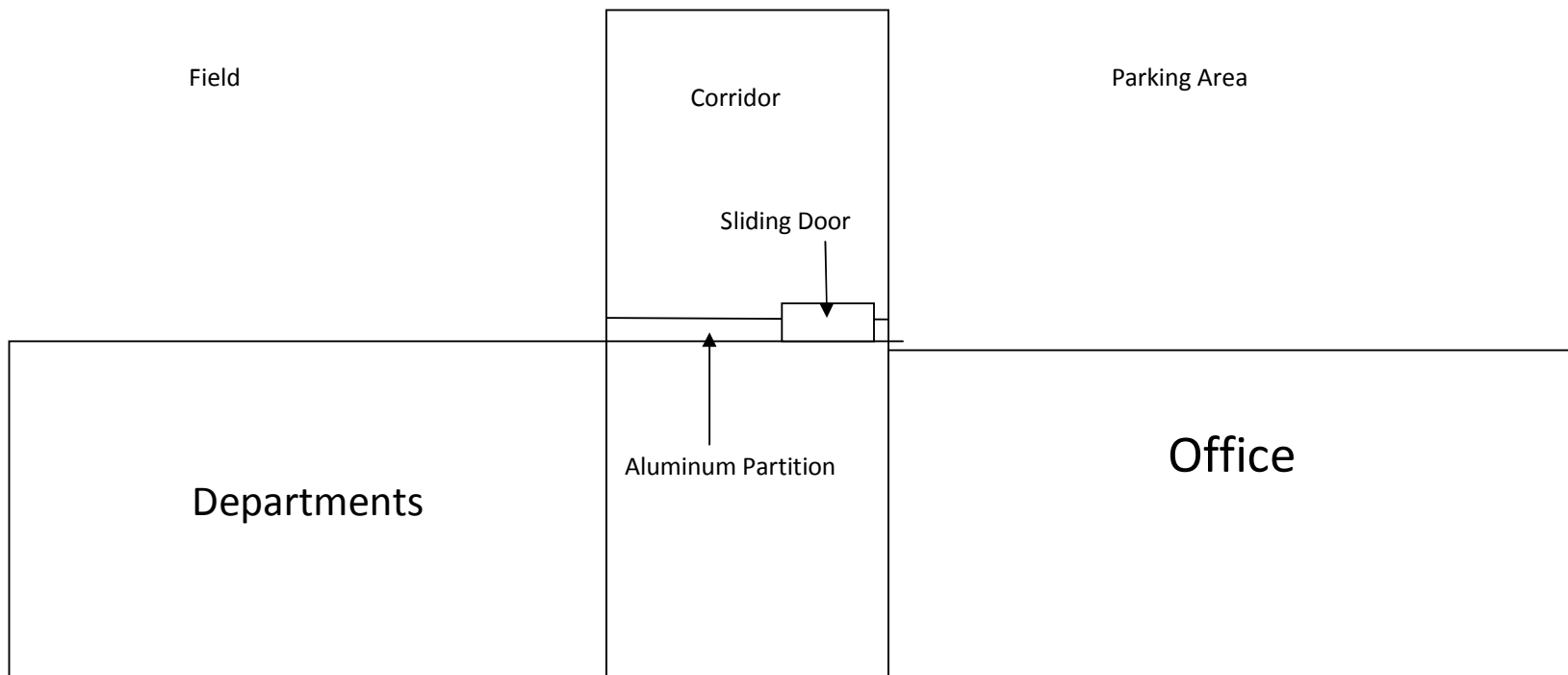


MSSV, Guwahati, Rupnagar Campus

Sankardeva Research Centre

Front Block(Ground Floor)

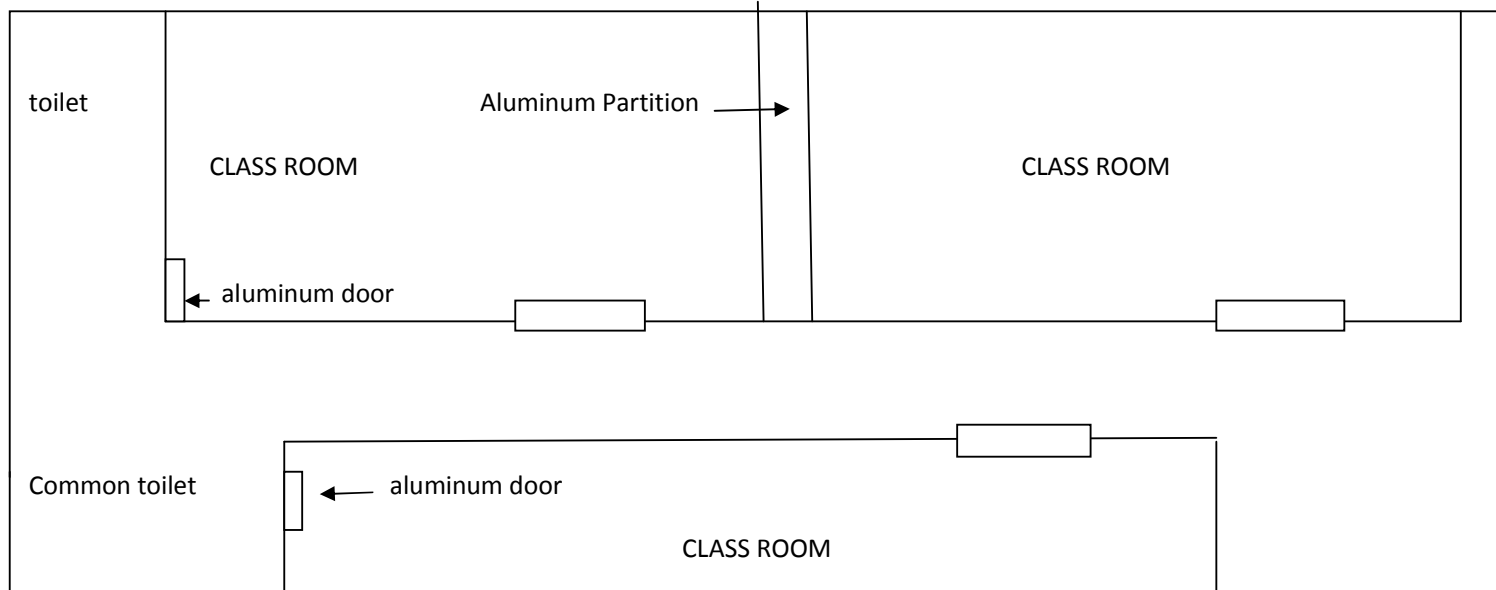
3. Corridor



MSSV, Guwahati, Rupnagar Campus

Sankardeva Bhavan

(3rd Floor)



MSSV, Guwahati, Rupnagar Campus

Hall for Library

Sankardeva Research Centre

(Ground floor)

